



9001:2015



SPARK
TECHNOMATION
www.sparktechnomation.com

PROVIDES MANY INDUSTRIAL SOLUTIONS UNDER ONE ROOF

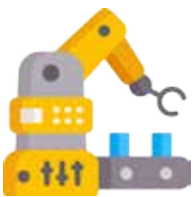
- **MANUFACTURING/ASSEMBLY & TESTING AUTOMATION**
 - 1. Production & Assembly Line Automation & Development..... 4
 - 2. Conveyor System..... 5
 - 3. Testing Automation System..... 6
 - 4. Industrial Automation..... 7
- **JIGS/FIXTURES & SPM**
 - 1. Jigs/fixtures & Heavy Assembly Fixtures.....8
 - 2. Special Purpose Equipments & Machines.....9
 - 3. Special Purpose Application.....10
- **PNEUMATIC & HYDRAULIC**
 - 1. Pneumatic & Hydraulic Applications..... 11
 - 2. Hydraulic Press & Attachments..... 12
- **MATERIAL HANDLING**
 - 1. Material Lifting Solution.....13
 - 2. Material Storage Racks.....14
 - 3. Pp Sheets, Bins & Crates, Cast Nylon Parts.....15
 - 4. Metal To Metal Contact Free Solution.....16
 - 5. Aluminium Profile Structure & Trolleys.....17
 - 6. Customized Material Handling Trolley.....18
- **MATERIAL SUPPLY**
 - 1. Mechanical Parts..... 19
 - 2. Sheet Metal Components.....20
 - 3. Plastic & Rubber Article Development.....21
 - 4. Pump & Motor Parts..... 22
 - 5. Engineering Material Sourcing..... 23
- **NPD & CAD**
 - 1. New Product Development..... 24
 - 2. Cad & Modeling.....25



ABOUT US

- **Spark Technomation Is An Engineering & Manufacturing Company, Applying Emerging Technologies In A Variety Of Industries Since 2012 With Quality management System ISO 9001:2015.**
- We Are Passionate Creativity Nature To Adapt Client Process And Methodology Which Bring Client Satisfaction, Fulfill Needs And Solve Their Challenges.
- In Field Of Fast Moving We Provide Solutions In Manufacturing Engineering Mainly To Make Customer's Production Efficiently.
- We Are Serving Mostly MNCs Like Ingersoll Rand-naroda, Dresser Rand (Siemens)-naroda, Kirloskar Brothers Ltd. (Sanand)
- Turn Over- 50 Lacs Above
- Workers & Staff- 08 To 10 Persons
- Company GST Number- 24BRIPP9189D1ZC
- QMS ISO 9001:2015 Certification Number- QCAS-2020-SKTN-29671
- Reg. Address- C/20, Ashvamegh Society, Naroda, Ahmedabad-382330
- Work. Address- D-25/2, Shreeji Ind. Estate, Naroda GIDC, Ahmedabad-382330
- Contact: Dhimal Patel (BE Mechatronics) : +91 9016236922

INDUSTRIES WE SERVE



MANUFACTURING



AUTOMOTIVE



PUMP



PHARMACEUTICAL



FMCG



TEXTILE

INDUSTRIES



PRODUCTION & ASSEMBLY LINE AUTOMATION & DEVELOPMENT



COMPRESSOR ASSEMBLY LINE CONVEYOR



TESTING LINE AUTO CONVEYOR



COMPRESSOR ASSEMBLY LINE CONVEYOR

WE PROVIDE SOLUTIONS FOR PRODUCTION & ASSEMBLY LINE AUTOMATION & DEVELOPMENT. HERE WE HAVE INSTALLED 18 MTR LONG ASSEMBLY & TEST LINE CONVEYOR AT OUR CUSTOMER'S PLANT (INGERSOLL RAND, NARODA). NOW PRODUCTION TAKT TIME IS AROUND 100 SECONDS PER COMPRESSOR ASSEMBLY.



MATERIAL TRANSFER CONVEYOR FOR PHARMA LINE



ASSEMBLY LINE CONVEYOR



MATERIAL TRANSFER CONVEYOR IN ALUMINIUM SECTION FOR PHARMALINE

WE HAVE DEVELOPED ASSEMBLY-PRODUCTION LINE CONVEYOR BASED ON PLC, DRIVES AND HMI. IT IS WIDELY USED IN MECHANICAL, AUTOMOBILE AND PHARMA SECTORS

TESTING AUTOMATION SYSTEM



WE ARE PROVIDING TESTING AUTOMATION SYSTEMS FOR MACHINE PERFORMANCE TEST OR CONTROL. ALSO DEALING WITH ANALOG AND DIGITAL MONITORING SYSTEM AS PER CUSTOMER NEED



WE ARE PROVIDING INDUSTRIAL AUTOMATION ON APPLICATION BASIS LIKE TESTING SYSTEMS, MONITORING & CONTROLLING SYSTEMS. ALSO DEALING WITH FLAMEPROOF PANEL FOR HAZARDOUS AREA

JIGS/FIXTURES & HEAVY ASSEMBLY FIXTURES



VALVE PLATE ASSEMBLY TEMPLATE



HEAVY VALVE LIFTING FIXTURE



INTERCOOLER ASSEMBLY FIXTURE



ASSEMBLY FIXTURE



FRAME COVER ASSEMBLY FIXTURE



PISTON ASSEMBLY FIXTURE

WE HAVE DEVELOPED SO MANY JIGS, FIXTURES & HEAVY ASSEMBLY FIXTURES AS PER OUR CUSTOMER'S REQUIREMENTS. ALSO PROVIDING ASSEMBLY & CHECKING TEMPLATES & GAUGES

SPECIAL PURPOSE EQUIPMENTS & MACHINES



GEAR ASSEMBLY FIXTURE



SCISSOR LIFT



COMPRESSOR ASSEMBLY SKID



HORIZONTAL DRILL MACHINE

WE ARE PROVIDING SOLUTIONS FOR SPECIAL PURPOSE EQUIPMENTS & MACHINES TO MAKE EFFECTIVE & SYSTEMATIC CUSTOMER'S PRODUCTION OR EASY ASSEMBLY. WE HAVE DEVELOPED SO MANY EQUIPMENTS AS PER CUSTOMER'S REQUIREMENT.



HAND PRESS



STICKER MOUTING TEMPLATE



NON STANDARD TROLLEY



HOLDING FIXTURES



PRESSURE VESSEL

WE ARE PROUDLY SAY THAT WE HAVE DEVELOPED SO MANY SPECIAL PURPOSE APPLICATIONS AS PER CUSTOMER'S NEED

PNEUMATIC & HYDRAULIC APPLICATIONS



HYDRAULIC ATTACHMENTS



PNEUMATIC PRESS FOR RIVETING



PNEUMATIC ATTACHMENTS



AIR MONITORING CONTROL PANEL

WE ARE DEVELOPING PNEUMATIC AND HYDRAULIC BASED APPLICATIONS FOR PRODUCTION & ASSEMBLY LINES. ALSO DEALING WITH AIR MONITORING CONTROL PANEL, MACHINE ATTACHMENTS & HYDRO/AIR LEAK TEST SYSTEMS.

HYDRAULIC PRESS & ATTACHMENTS



C FRAME PRESS



H FRAME PRESS



PRESS ATTACHMENT



FOUR PILLER PRESS

WE ARE PROVIDING HYDRULIC H FRAME, C FRAME, FOUR PILLER PRESS & PRESS ATTCHMENTS AS PER CUSTOMER'S SIZE AND REQUIREMENTS



SCISSOR LIFTING TONGS



CUSTOMIZED HOOK

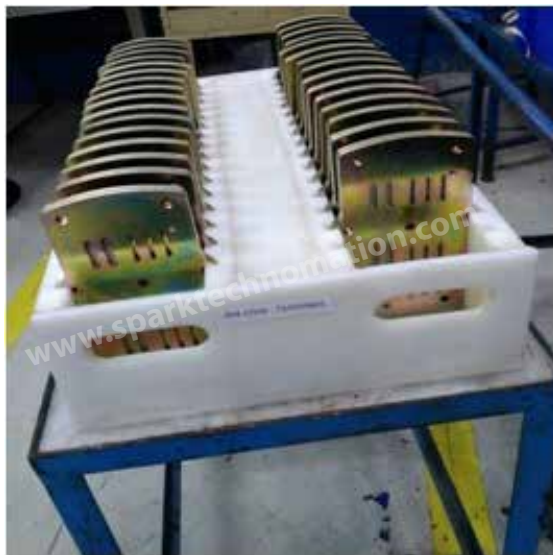
WE PROVIDE SOLUTIONS FOR LIFTING, HANDLING AND MOVEMENT OF CRITICAL PARTS, HEAVY JOB AND LOW WEIGHT JOB WITH FORM-10 SAFETY CERTIFICATIONS BY LIFTING HOOKS, PALLATES AND LIFTING FIXTURES

MATERIAL STORAGE RACKS



WE ARE PROVIDING MATERIAL STORAGE RACKS AND DECKS AS PER SIZE AND SUITABLE AREA WITH COMPETATIVE RATES & GOOD QUALITY

PP SHEETS, BINS & CRATES, CAST NYLON PARTS



NOW A DAY, CUSTOMER NEEDS BINS/CRATES FOR STORAGE AND PRODUCTION MATERIAL MOVEMENTS AS PER THEIR REQUIREMENTS. WE ARE PROVIDING WIDELY SOLUTIONS FOR THEM BY USING PP AND CAST NYLON MATERIALS SHEETS BY WELDING AND MACHINING AS PER DESIGNS. ALSO MANUFACTURING TOOLS AND DELICATE PARTS STORAGE BINS

METAL TO METAL CONTACT FREE SOLUTION



CAST NYLON ASSEMBLY FIXTURE



CAST NYLON TOP ON TABLE



CAST NYLON ASSEMBLY FIXTURE



PP BIN FOR VALVE PLATE STORAGE



CAST NYLON TOOL FOR HAMMERING



CAST NYLON ASSEMBLY FIXTURE

IN INDUSTRIES THERE ARE HAPPENING OF WEAR AND TEAR OF PARTS DUE TO METAL FIXTURES, METAL TROLLEYS & METAL BINS. TO PROTECT THEM. WE ARE PROVIDING SOLUTIONS FOR METAL TO METAL CONTACT FREE ON WORK TABLE, FIXTURES AND MATERIAL STORAGE BINS BY USING PP, CAST NYLON, UHMW MATERIALS

ALUMINIUM PROFILE STRUCTURES & TROLLEYS



KITTING TROLLEY



ALUMINIUM PROFILE BOUNDRIES



TABLE STRUCTURE



TROLLEY FOR WAREHOUSE

WE ARE PROVIDING ALUMINIUM PROFILE STRUCTURE, BOUNDRIES, TROLLEYS, WORK TABLES AS PER CUSTOMER'S REQUIREMENTS

CUSTOMIZED MATERIAL HANDLING TROLLEYS



WE ARE PROVIDING TROLLEYS WIDELY USED FOR KITTING, STORAGE, ASSEMBLY, PAINTED PARTS HANDLING AS PER CUSTOMER'S REQUIREMENT EFFECTIVELY



WE ARE PROVIDING SOLUTIONS FOR DEVELOPMENT OF MECHANICAL PARTS AND COMPONENTS AS PER CUSTOMER'S DRAWINGS OR CONCEPT WITH QUALITY CONTROL



WE PROVIDE SHEET METAL PARTS WITH PUNCHING, EMBOSING, BENDING OPERATIONS AS PER CUSTOMER'S REQUIREMENTS.



PVC/PP PLASTIC ARTICLE



RUBBER ARTICLE



RUBBER ARTICLE



RUBBER ARTICLE

WE ARE PROVIDING PLASTIC AND RUBBER ARTICLES AS PER CUSTOMER'S DRAWING AND CONCEPT AND FULL-FEELING THEIR NEED BY MOLDING AND SUPPLY



WE ARE HAVING OUR SISTER COMPANY, MANUFACTURING SUBMERSILBE PUMP AND MOTOR PARTS, ALSO MANUFACTURING CABLE PLUG ASSEMBLY AND SOCKET MOLDING AS SHOWN IN PICTURES BELOW. ALSO DEALING FOR SHAFT AND MS/CI PARTS MACHINING



Ball Caster Wheel



SS Trolley Wheel



Trolley Wheels



Antistatic Caster Wheels



High Temperature Caster Wheels



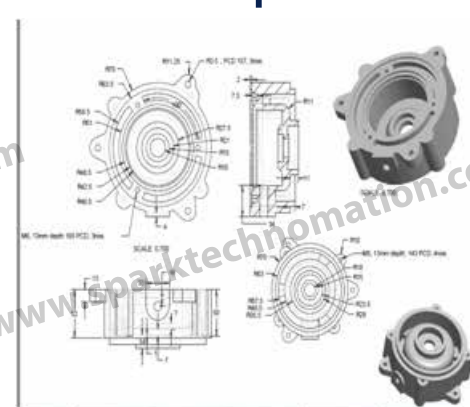
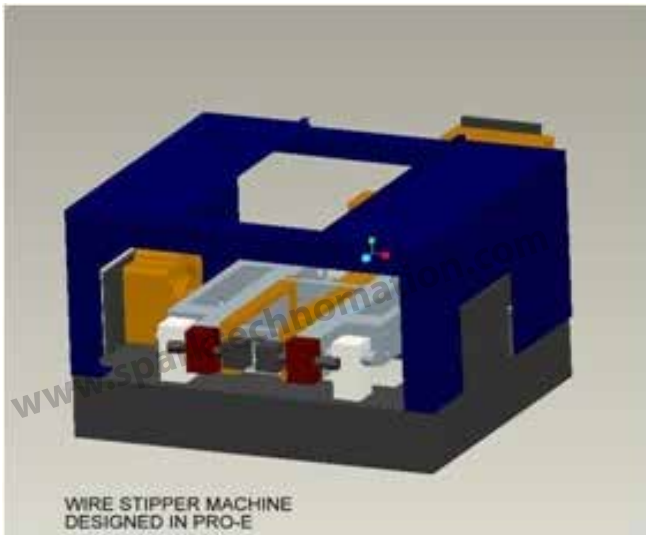
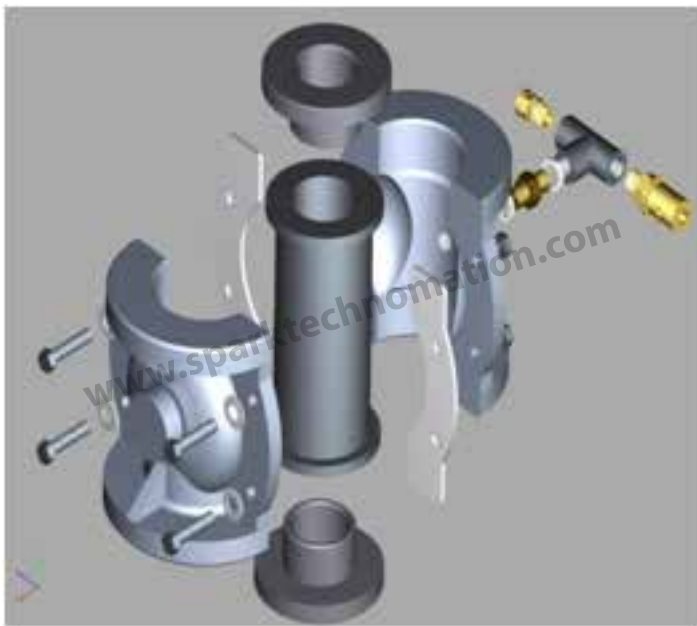
SS/Heavy Duty Caster Wheels



WE ARE SUPPLYING SO MANY ENGINEERING ITEMS, PARTS, STANDARD/NON STANDARD MATERIALS AS MATERIAL RESORUCE SUPPLIER TO INDUSTRIES. LIKE INDUSTRIAL WHEELS, PNEUMATIC/HYDRALIC PARTS, CAST NYLON/PP MATERIALS, TOGGLE CLAMPS, HAND TOOLS, FASTNERS, ELECTRICAL PARTS, MATERIAL HANDLING EQUIPMENTS, MACHINE PARTS SCISSOR LIFT/MACHINE BELLOWS AND MANY MORE...



NEW PRODUCT DEVELOPMENT IS COMPLETE PROCESS OF BRINGING A NEW PRODUCT TO MARKET. WE CAN INVOLVE FOR IDEA GENERATION, PRODUCT DESIGN-DETAIL ENGINEERING & MANUFACTURING.



WE ARE PROVIDING MODELING IN AUTOCAD & PRO-E (3D MODELING), SOLIDWOKS SOFTWARES WITH FEATURES OF PRODUCTION DRAWING GENERATION, DESIGN ASSEMBLY OF DIFFERENT PARTS, 3D MODELING, MECHANISM, ANIMATION FOR WORKING MODEL DEMO OF MACHINE OR ANY CONCEPT.



HOW WE WORKS?



Study Your Valued Requirement



Design For Your Approval



Manufacturing



After Sales Service



Care & Spare List



Installation & Commissioning

OUR CLIENTS



Enriching Lives





THANK YOU!